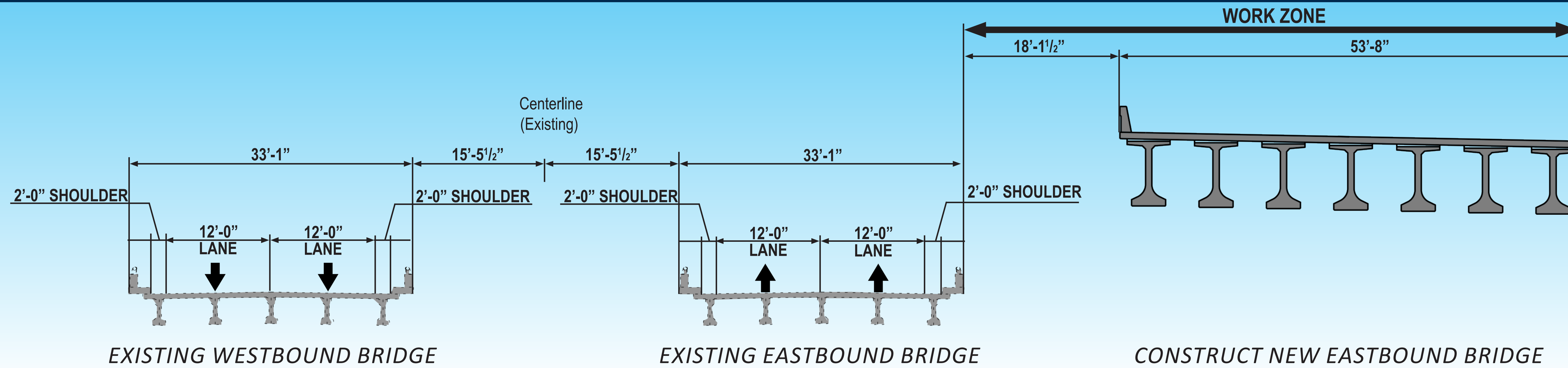
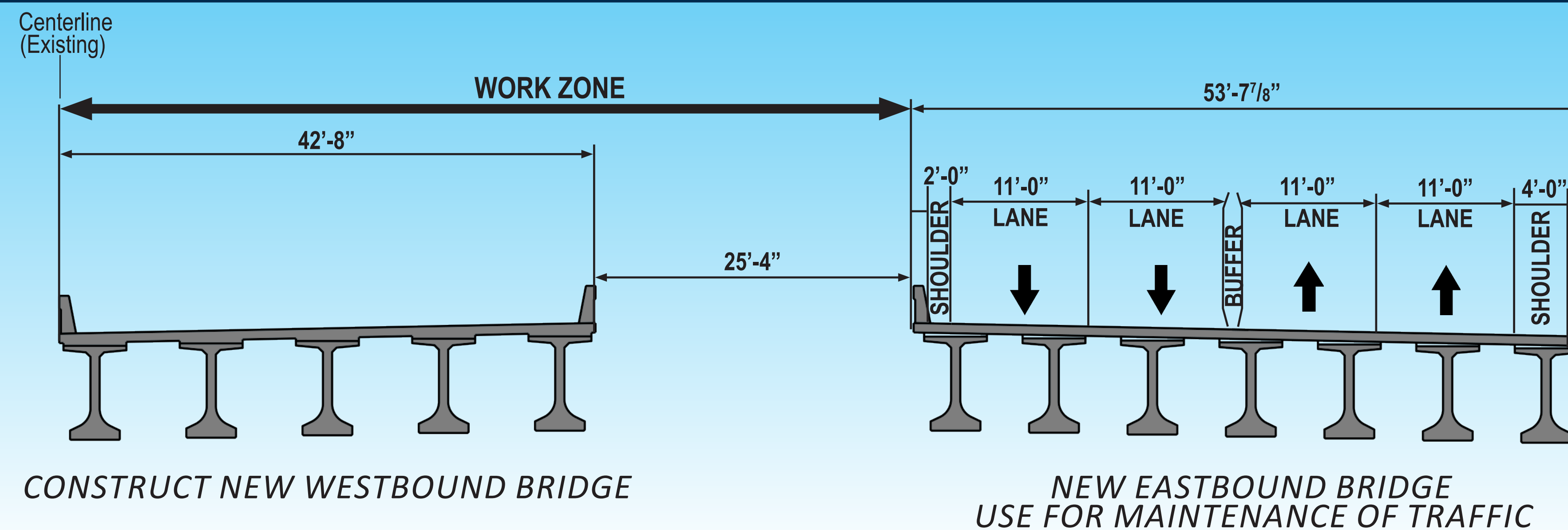


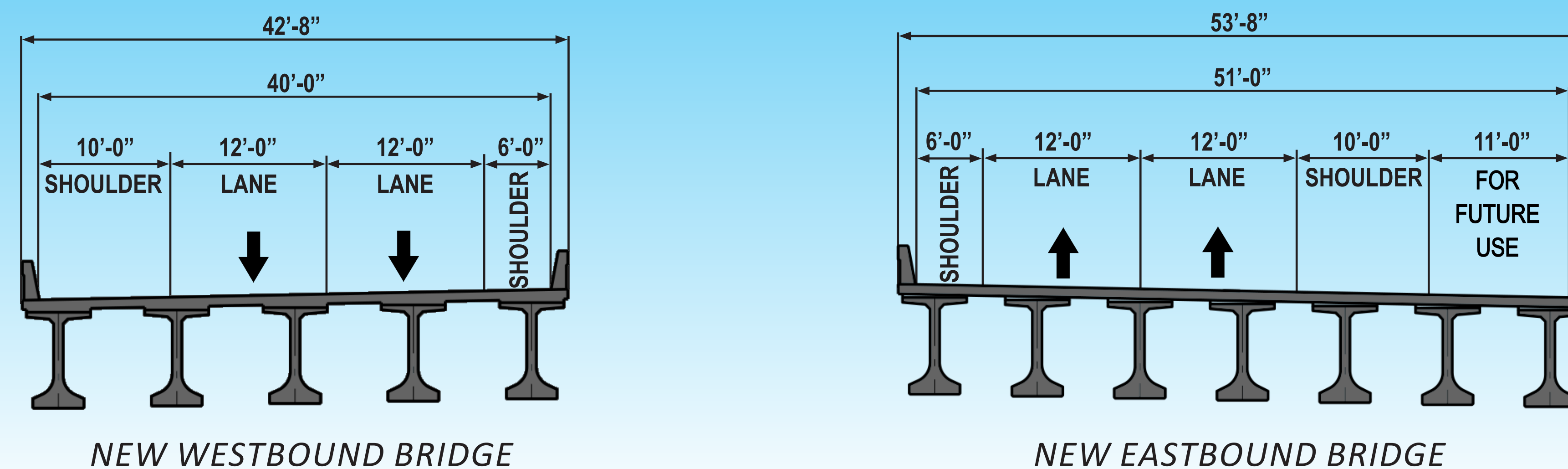
PREFERRED BUILD ALTERNATIVE PROPOSED CONSTRUCTION PHASING



PHASE I (BUILD EASTBOUND BRIDGE)



PHASE II (BUILD WESTBOUND BRIDGE, REMOVE EXISTING BRIDGE)



PHASE III (COMPLETE)