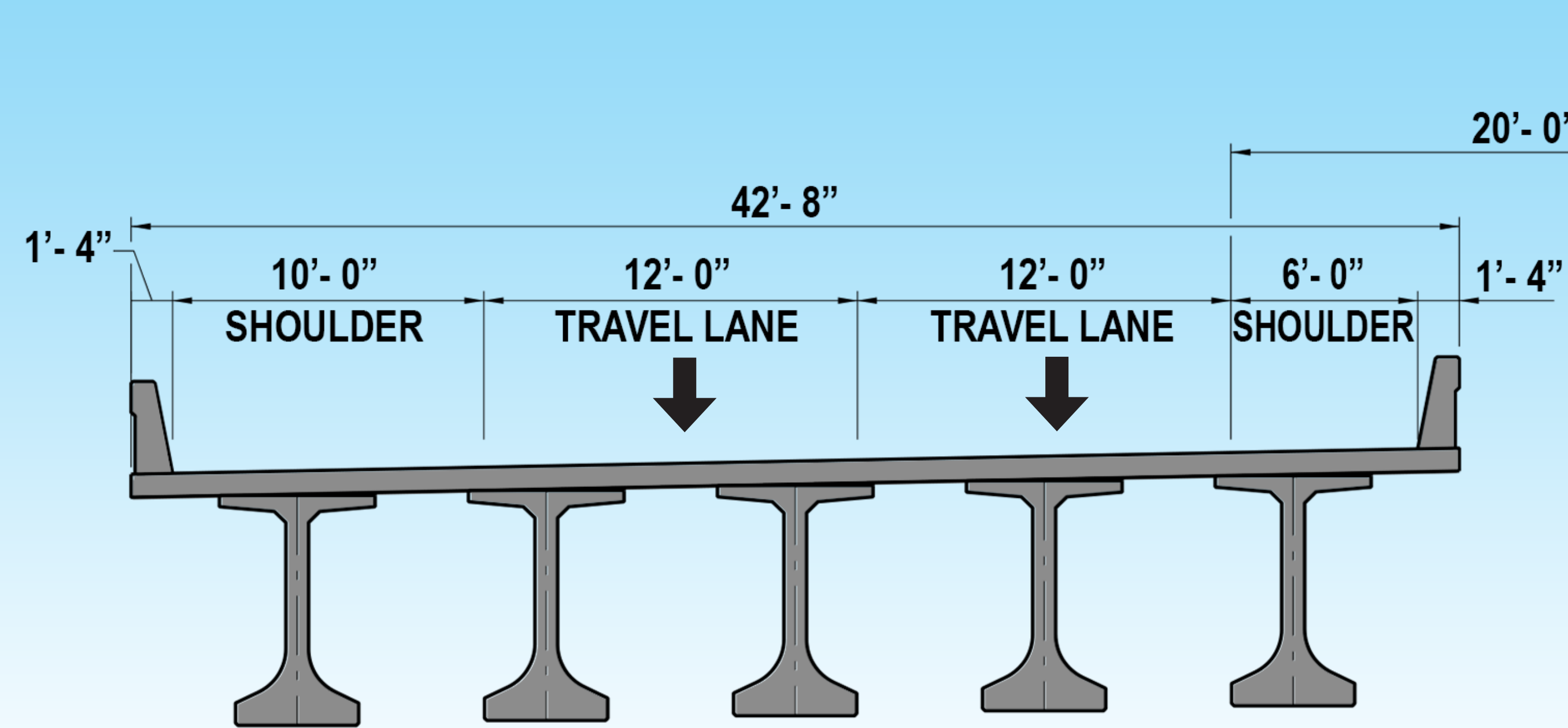


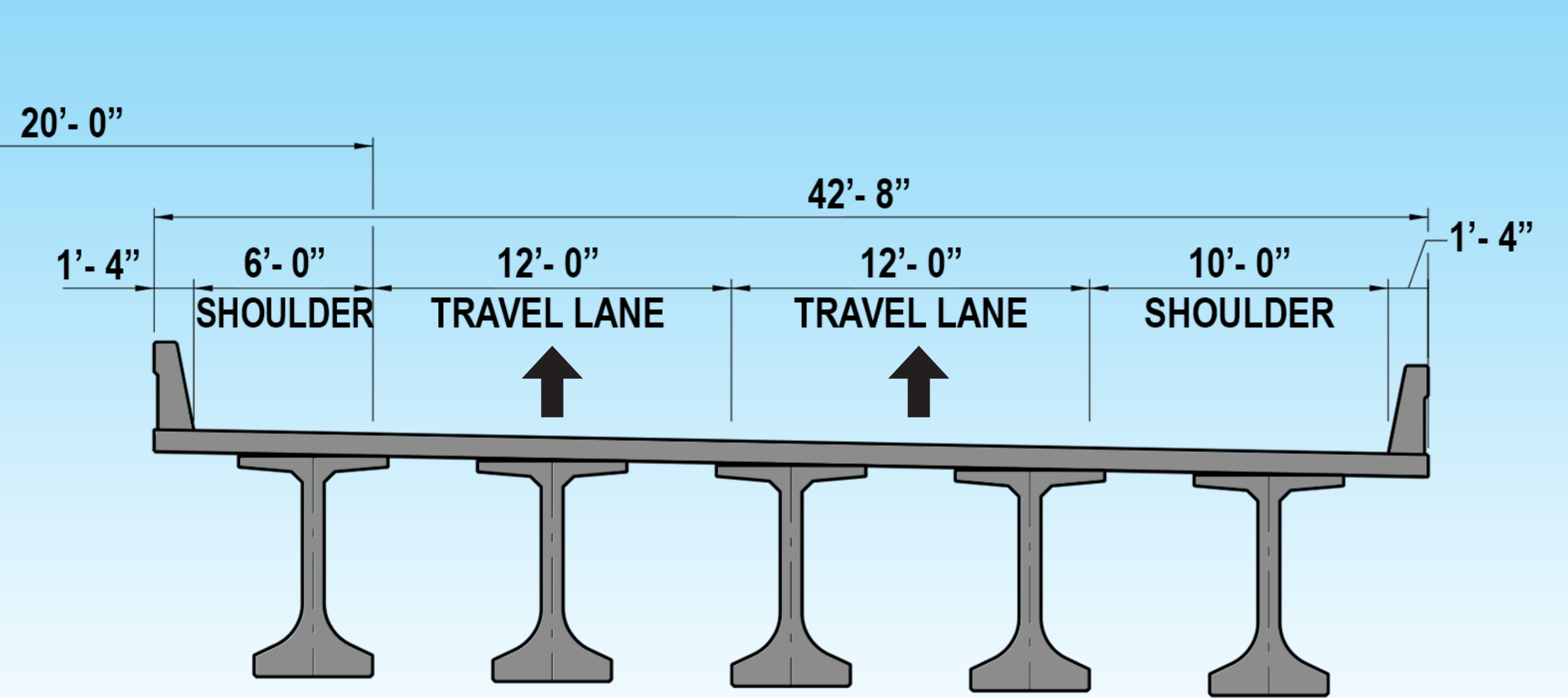


PROPOSED BRIDGE (Fixed and Moveable Span Alternatives)

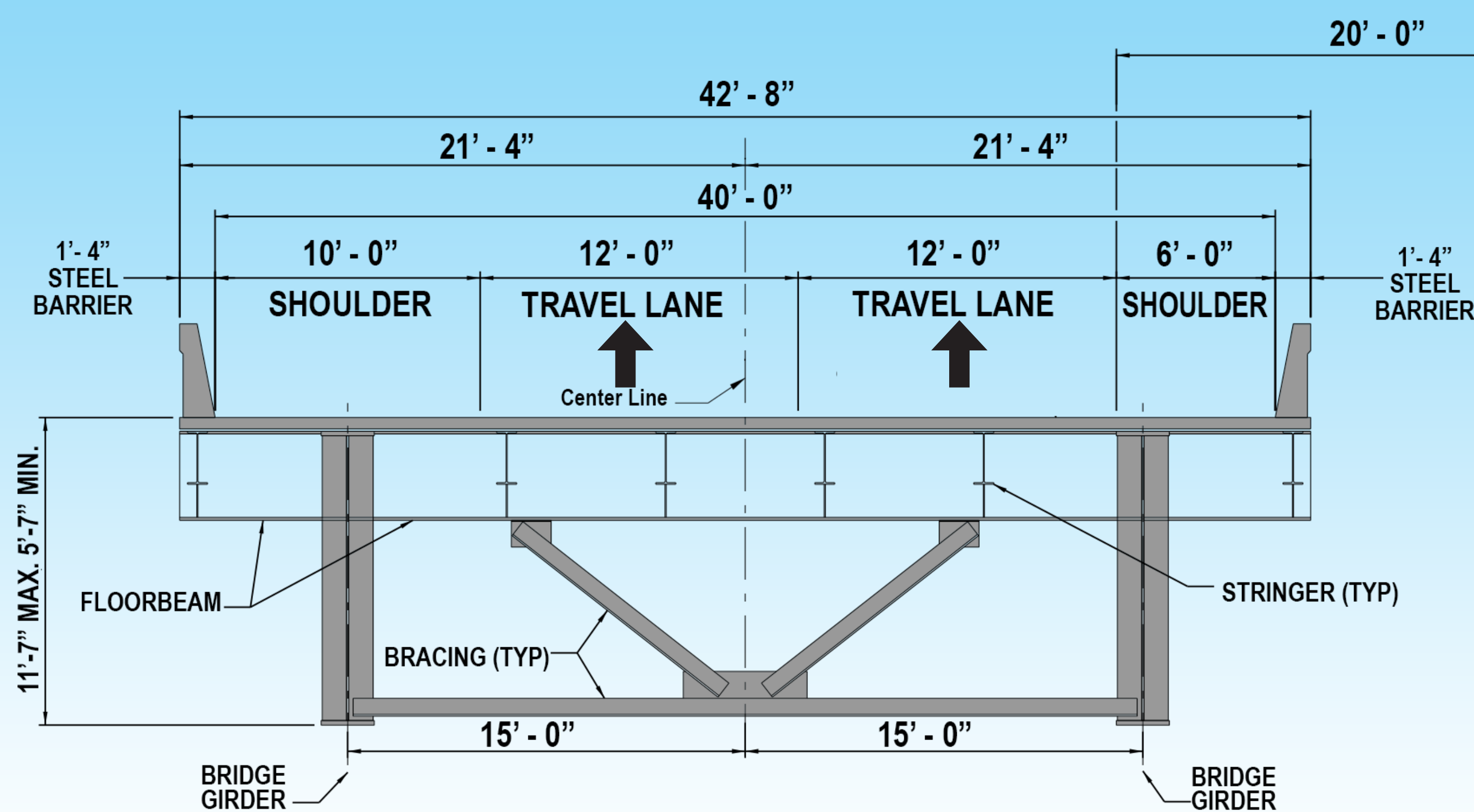
NASA Causeway Bridge PD&E Study
FPID: 440424-1-22-01
Brevard County, FL



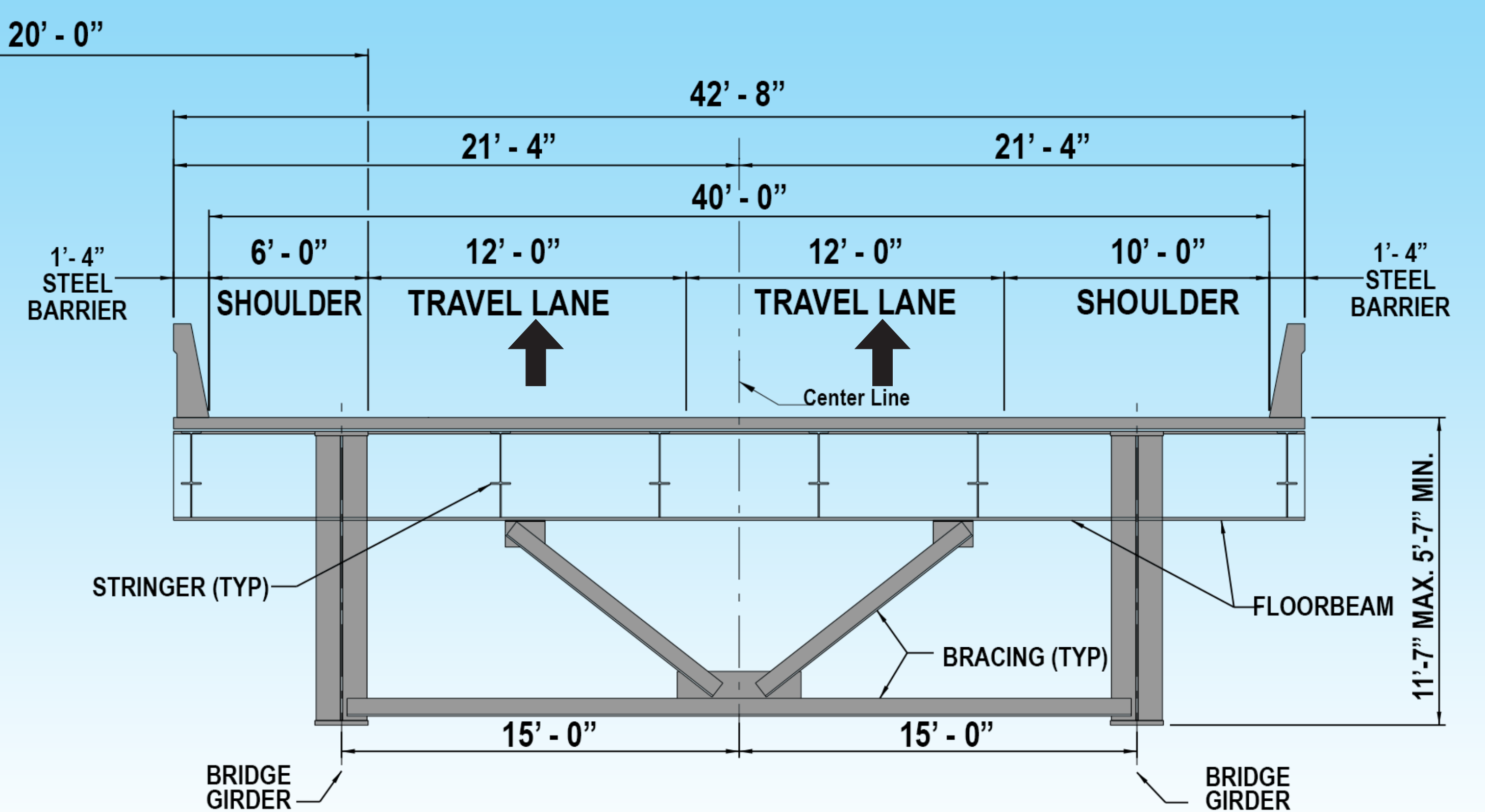
FIXED SPAN ALTERNATIVE



FIXED SPAN ALTERNATIVE



MOVEABLE SPAN ALTERNATIVE



MOVEABLE SPAN ALTERNATIVE