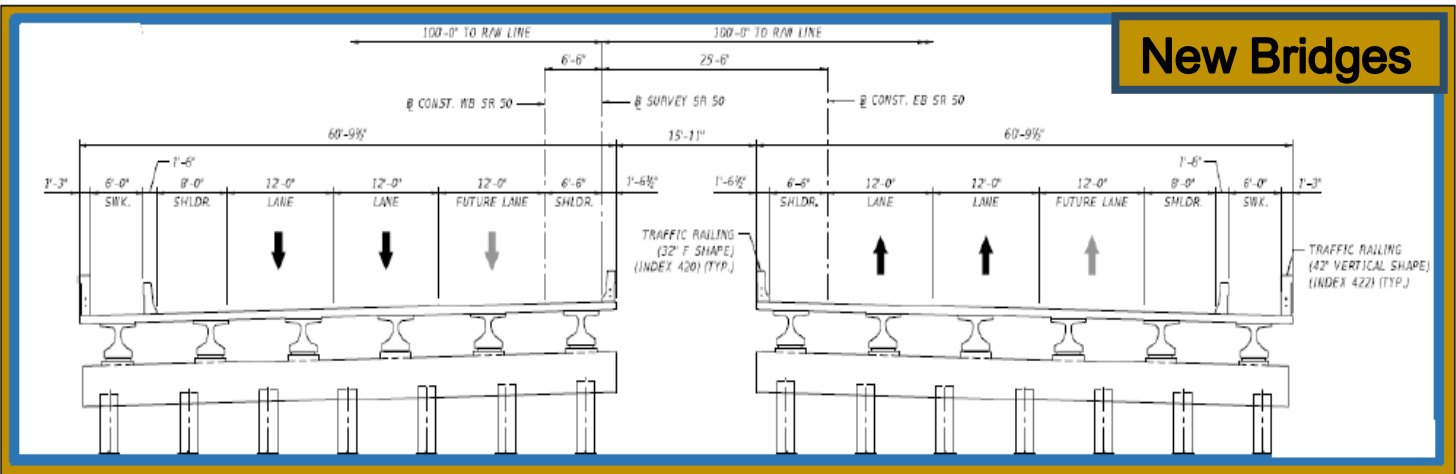




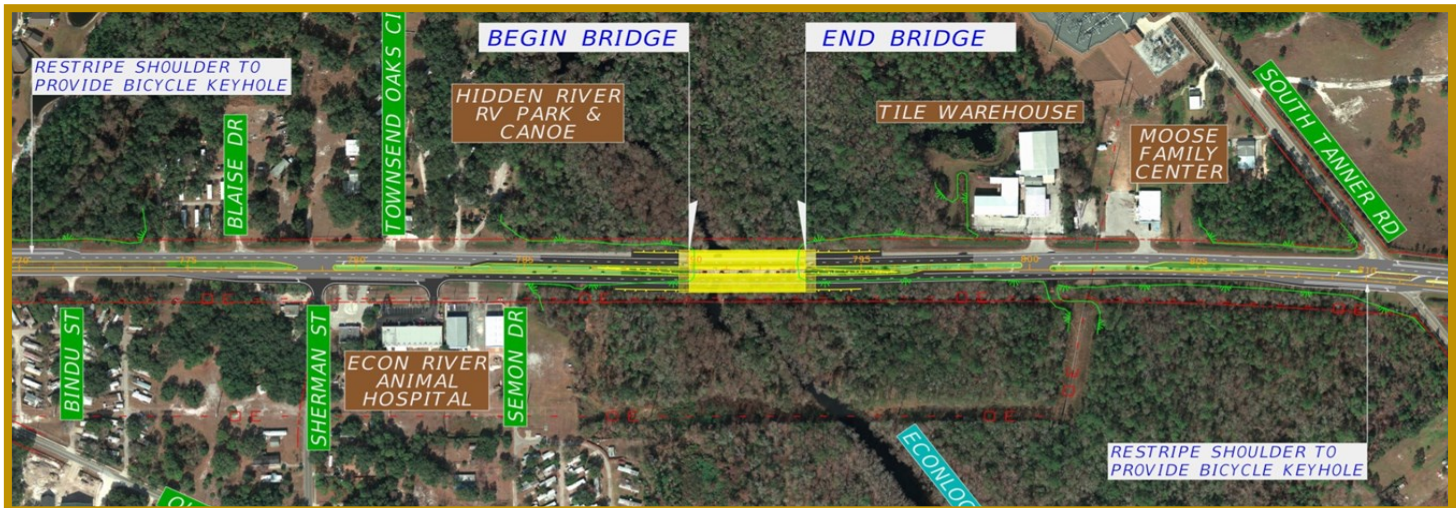
STATE ROAD (SR) 50 (Colonial Drive) BRIDGES OVER ECONLOCKHATCHEE RIVER Avalon Park Boulevard to Masood Lane

Orange County, Florida
FPN: 433607-1-52-01

The construction of the **State Road (SR) 50** lateral bridges over the Econlockhatchee River began this Spring 2015. The limits of the project are along State Road (SR) 50 from Avalon Park Boulevard to Masood Lane. The existing bridges currently carry more than 39,000 vehicles a day, about 1,200 of them trucks and traffic volumes are projected to grow. They lack adequate accommodations for bicyclists and pedestrians. Environmental protection is paramount during this project. The Econ River is designated an Outstanding Florida Water and is a tributary to the St. Johns.



The new bridges are being constructed to accommodate three lanes in both east and westbound directions in anticipation of future widening of State Road (SR) 50, but will be configured, initially, as two-lane bridges in each direction in order to tie into the existing State Road (SR) 50 roadway. This project will also include sidewalk and bike lanes in both directions. Resurfacing the existing four-lane roadway, to the east and west of the bridges, is also included.



The new bridges will provide safety improvements as well as enhance mobility. The cost of the project is just over \$11.8 million and will take approximately two years to complete.

Construction began Spring of 2015 and is expected to be completed by Winter 2016.

For more information, contact **Alicia Arroyo, Public Involvement Coordinator** at 407-482-7813.